

DYZ1-125C

Series

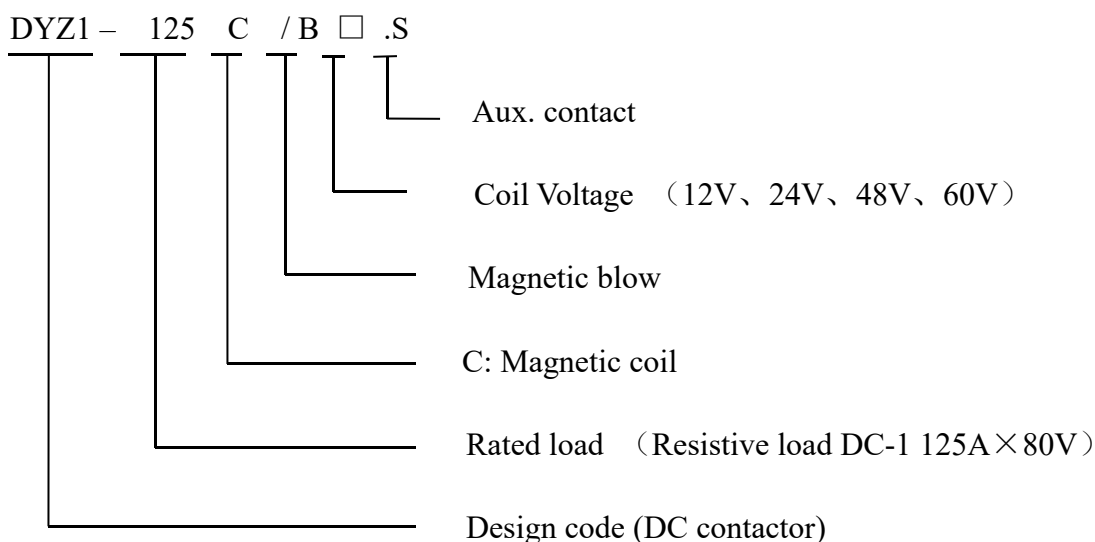
Contactor Data

Model	DYZ1-125C/□
Contact type	Bi-stable
Rated load current of contact (Resistive load)	125A × 80V DC
Contact voltage drop	≤50mV@125A
Insulation resistance	Min. 100MΩ at 500VDC
Dielectric strength (Between Insulated Electric Parts)	1500VAC 50 HZ/60 HZ (1 minute) Leak current < 1mA
Vibration	(10~200)HZ、≤3.5g
Shock	(60~100)ops/minute、≤4g
Lightning stroke	8/20us 10/20KA lightning test ±5 times each
Pollution level	III
Working duty	Continuous

Coil Data

P/N	Coil voltage	Coil operating voltage (V)	Pick-up voltage (V)	Drop-out voltage (V)	Start power (A)	Coil Power (W)
DYZ1-125C	12V	0.85U _s ~1.1U _s	10%~80%	10%~80%	≤6	53W
	24V				≤3	
	48V				≤1.5	
	60V				≤1.2	

Part Numbering System

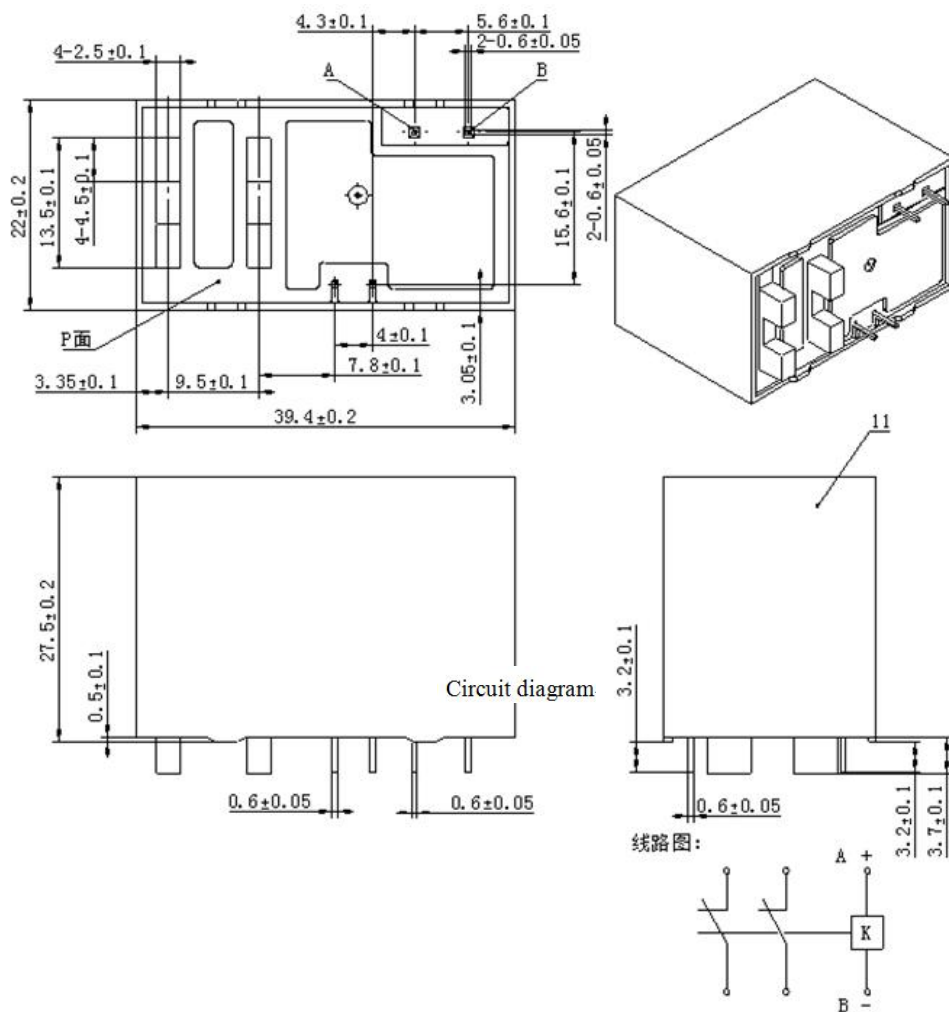


Example: DYZ1-125 C/B60. S. indicates Magnetic latching DC contactor, rated current at DC-1 load is

125A, coil voltage is DC24V. Products with magnetic blowing, with auxiliary contact.

■ Outline mounting dimension and circuit diagram (Unit: mm)

DYZ1-125C/□.S



Dimension (mm)	Tolerance grade not noted (mm)
0~30	± 0.3
30~60	± 0.5
60~100	± 1
大于 100	± 2

NOTE:

1. Silver plating of copper bar for main circuit wiring;
2. Auxiliary contact wiring plate is silver plated by default;
3. The product coil adopts positive and negative pulse excitation, and the excitation time is $50\text{ms} \leq T \leq 200\text{ms}$. The coil shall not be continuously energized for long periods, the operating frequency shall not exceed 6 times per minute, and the pulse shall be square wave. Positive pulse (" + " is connected to the power supply positive, " - " is connected to the power supply negative) makes the contact closed, negative pulse (" + " is connected to the power supply negative, " - " is connected to the power supply positive) makes the contact disconnected. After the coil is de-excited, the contact state of the contactor is maintained by the permanent magnetic steel in the product.