



DONGYA ELECTRONIC

IRGE 29/30

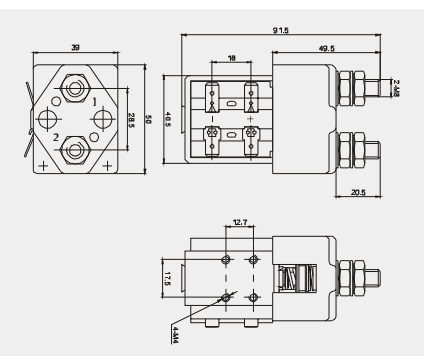


ZLJM-125C

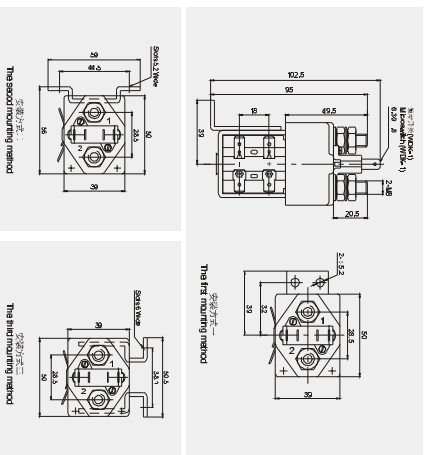
Series latch contactors
系列磁保持型接触器

外形安装图 Configurational mounting diagram

125D外形安装图
125D configurational mounting diagram



带微动开关WDK-1H安装支架外形安装图
with microswitchWDK-1 and mounting bracket configurational mounting diagram



产品型号含义 Nomination(nomogram)



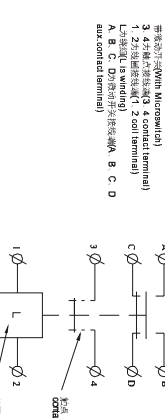
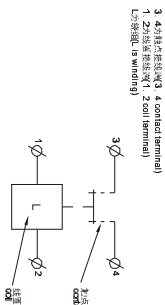
使用条件 Use conditionsrequired

- 环境温度 Ambient temperature: -25~+40℃
相对湿度 Relative humidity: +20℃达98%(p10 98% & +20℃)
额定电压 Rated voltage: 250VAC
额定电流 Rated current: 125A
额定功率 Rated power: 12.5kW

特别说明

产品线圈采取正、负脉冲激励(1.2ms),激励时间20ms~1s,线圈不能持续长时间通电,操作频率不得超过每分钟6次,并且脉冲应是方波,正脉冲使触点闭合,负脉冲使触点断开,线圈去激励后,接触器触点状态由产品内的永久磁铁保持...

线路原理图 Circuit diagram



简要技术参数 Basic technical data

Table with 2 columns: 序号 NO. and 参数名称 Parameters. It lists technical specifications for ZLJM-125C and ZLJM-125CQ series, including rated voltage, operating voltage, load current, contact voltage drop, pulse width, dielectric strength, electric life, mechanical life, coil current, and working duty.