



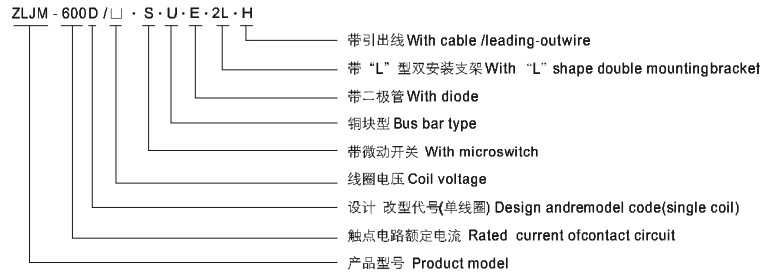
DONGYA ELECTRONIC



ZLJM-300D/ 500D/600D

Series contactors
系列接触器

1. 产品型号含义 Nomination(nomogram)



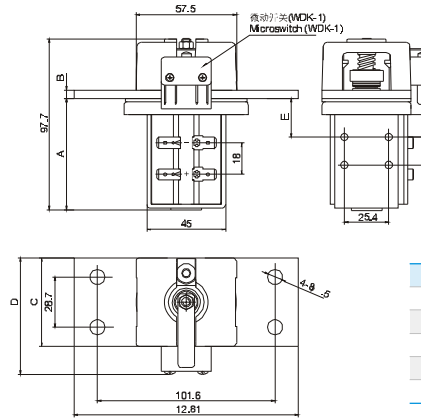
2. 使用条件 Use conditions required

环境温度 Ambient temperature: -25~+40°C
 相对湿度 Relative humidity: +20°C达98%(upto 98% at +20°C)
 固定处的振动频率 Vibration freq. at the fixed position:
 3g, 1~50Hz 振幅 0.5mm
 3g, 1~50Hz ampl 0.5mm

安装方向 Mounting directions:
 触点向上及水平位置

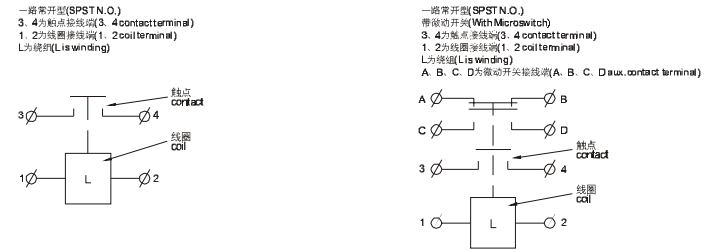
The contactors can be mounted vertically or horizontally, if mounted vertically the coil should be at the bottom

3. 外形安装图 Configurational mounting diagram



产品型号 Type	ZLJM-300D/	ZLJM-500D/	ZLJM-600D/
A	63.5	61.9	61.9
B	4.8	6.3	6.3
C	50.8	50.8	63.5
D	64.8	64.8	71.1
E	21.9	20.3	20.3

4. 线路原理图 Circuit diagram



5. 简要技术数据 Basic technical data

编号 NO.	参数名称 Parameters	产品代号 Product code	
		ZLJM-300D/500D/600D系列 series	
1	线圈额定电压 Rated coil volt(VDC)	12, 24, 30, 48, 60, 72, 120等(etc)	
2	线圈功耗 Coil Power dissipation(W)	15-20	
3	触点电路额定电压 Rated volt of contact circuit(V DC)	60	
4	触点电路额定负载电流 Rated load current of contact circuit(A)	300D	300A
		500D	500A
		600D	600A
5	(20±5)°C下, 冷态动作电压(V) Operating volt in cold state at(20±5)°C	吸合 Pick-up	不大于线圈额定电压的70% Not above 70% of rated coil volt
		释放 Release	线圈额定电压的(5~30)% (5~30)% of rated coil volt
6	抗电强度 Puncture(volt) strength	50Hz 1000V AC 1min	
7	额定电压下最大动作时间(ms)(线圈不带抑制电路) Max. operating time at rated volt(ms) (Coil with no suppression circuit)	50	
8	100A负载下主触点接触电压降 Contact volt drop of main contact at 100A	不大于80mV not above 80mV	
9	电寿命 Electric life	20,000 Ops	
10	机械寿命 Mechanical life	10万次 100,000 Ops.	
11	工作规范 Working duty	连续 Continuous	