



DONGYA ELECTRONIC

1RGE 33/34

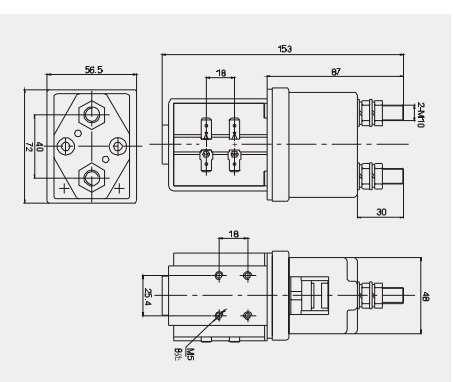


ZLJM-400C

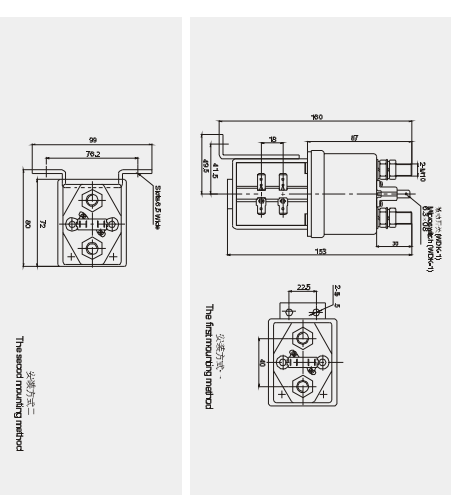
Series latch contactors  
系列磁保持型接触器

### 外形安装图 Configurational mounting diagram

400C 外形安装图  
400C configurational mounting diagram



带微动开关WDK-1的安裝支架外形安裝圖  
with microswitch WDK-1 and mounting bracket configurational mounting diagram



### 产品型号含义 Nomination(nomogram)



### 使用条件 Use conditions required

环境温度 Ambient temperature: -25~+40℃  
 相对湿度 Relative humidity: +20℃±98%(up to 98% d +20℃)  
 固定处的振动频率 Vibration freq. at the fixed position:  
 3g, 1-50Hz 振幅0.5mm  
 3g, 1-50Hz ampli 0.5mm

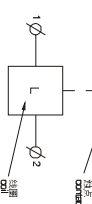
安装方向 Mounting directions: 任意Optional

### 特殊说明

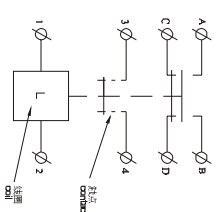
产品线圈采取正、负脉冲激励(1、2端),激励时间200ms≤t≤1s,线圈不能持续长期通电,操作频率不得超过每分钟6次,并且脉冲应是方波,正脉冲使触点闭合,负脉冲使触点断开,线圈去激励后,接触器触点状态由产品内的永久磁保持保持。  
 Product coil is excited by positive and negative pulse(1, 2 points), 200ms≤t≤1s. Longtime continuous energizing is not allowed. Operation frequency nomore than 6 time/min. It's square pulse and positive pulse makes the contact close while negative pulse makes the contact open. After the excitation, the permanent magnet in product keeps the state of the contact.

### 线路原理图 Circuit diagram

ZLJM-400C  
 3、4号触点接线圈(4 contact terminal)  
 L1线圈(1 coil winding)  
 L2线圈(2 coil winding)



ZLJM-400C/J · S  
 带微动开关(WDK Microswitch)  
 1、2号触点接线圈(2 coil terminal)  
 L1线圈(1 coil winding)  
 A、B、C、D与微动的公共接点(A、B、C、D aux contact terminal)



### 简要技术参数 Basic technical data

序号 NO.	参数名称 Parameters	产品代号 Product code
1	线圈额定电压 Rated coil volt(V/DC)	ZLJM-400C系列 series 12, 24, 30, 48, 60, 72, 120等 etc
2	(20 ± 5)℃下, 冷态动作电压(V) Operating volt. in cold state at(20±5)℃	线圈额定电压的(25~70)% (25~70)% of rated coil volt
3	触点电整额定负载电流/额定电压/额定电压/接触电路(A) 触点电整额定电压 Rated volt. of contact circuit(V/DC)	400A
4	触点电整额定电压 Rated volt. of contact circuit(V/DC)	60
5	100A负载下主触点接触电压降 Contact volt. drop of main contact at 100A	不大于80mV not above 80mV
6	最小脉宽 Min pulse width	200ns
7	介质耐压(相互绝缘的导电部分) Dielectric strength(Between insulater/dielectric parts)	1000VAC 50/60Hz(1 minute)
8	电寿命 Electric life	20,000 Ops.
9	机械寿命 Mechanical life	10万次 100,000 Ops.
10	线圈电流 Coil current	小于700mA <700mA
11	工作规范 Working dry	连续 Continuous